

STONE EFFECT





SIZES AND COLOURS


QUARZITI 2.0




Glacier
QR 01

 **v3**
MODERATE


 **60x120 / 24"x48"**
NAT SQ \pm 20 mm ($\frac{3}{4}$ "")


 **45x90 / 18"x36"**
NAT SQ \pm 20 mm ($\frac{3}{4}$ "")


 **60x60 / 24"x24"**
NAT SQ \pm 20 mm ($\frac{3}{4}$ "")




Mountains
QR 02

 **v3**
MODERATE


 **60x120 / 24"x48"**
NAT SQ \pm 20 mm ($\frac{3}{4}$ "")


 **45x90 / 18"x36"**
NAT SQ \pm 20 mm ($\frac{3}{4}$ "")


 **60x60 / 24"x24"**
NAT SQ \pm 20 mm ($\frac{3}{4}$ "")




Waterfall
QR 03

 **v3**
MODERATE


 **60x120 / 24"x48"**
NAT SQ \pm 20 mm ($\frac{3}{4}$ "")


 **45x90 / 18"x36"**
NAT SQ \pm 20 mm ($\frac{3}{4}$ "")


 **60x60 / 24"x24"**
NAT SQ \pm 20 mm ($\frac{3}{4}$ "")




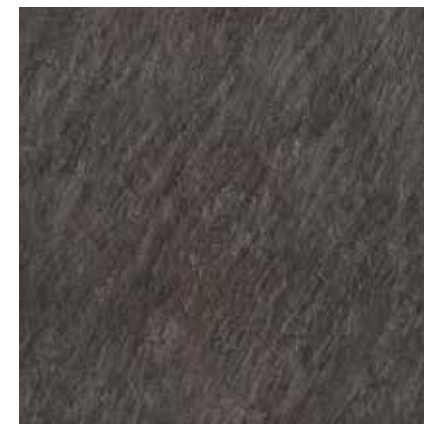
River
QR 04

 **v3**
MODERATE


 **60x120 / 24"x48"**
NAT SQ \pm 20 mm ($\frac{3}{4}$ "")


 **45x90 / 18"x36"**
NAT SQ \pm 20 mm ($\frac{3}{4}$ "")


 **60x60 / 24"x24"**
NAT SQ \pm 20 mm ($\frac{3}{4}$ "")




Mantle
QR 05

 **v3**
MODERATE


 **60x120 / 24"x48"**
NAT SQ \pm 20 mm ($\frac{3}{4}$ "")

 **45x90 / 18"x36"**
NAT SQ \pm 20 mm ($\frac{3}{4}$ "")

 **60x60 / 24"x24"**
NAT SQ \pm 20 mm ($\frac{3}{4}$ "")

Shade variation



 **SRI (60-80%):**
Solar Reflectance Index

NAT:
Natural

ST:
Structured


RD:
Radiale

STA:
Aged Structure

 **v1**
UNIFORM
V1:
Uniform appearance

 **v2**
SLIGHT
V2:
Slight variation

 **v3**
MODERATE
V3:
Moderate variation

 **v4**
HIGH
V4:
Substantial variation